



LEOPARD IMAGING INC

Rev. 1.2

# LI-USB30-MIPI-TESTER

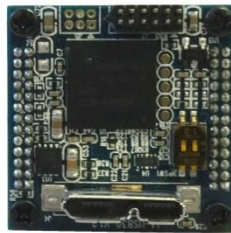
## Data Sheet

### Key Features

- USB 3.0 Super Speed support
- UVC compliance
- 3 MIPI interfaces
- Provide customization services
- USB +5VDC powered device
- Compact Size: 26mmx26mmx19mm
- 2 Boards are stacked
- Weight: 10 g
- Part#: **LI-USB30-MIPI-TESTER**



### MIPI Interfaces

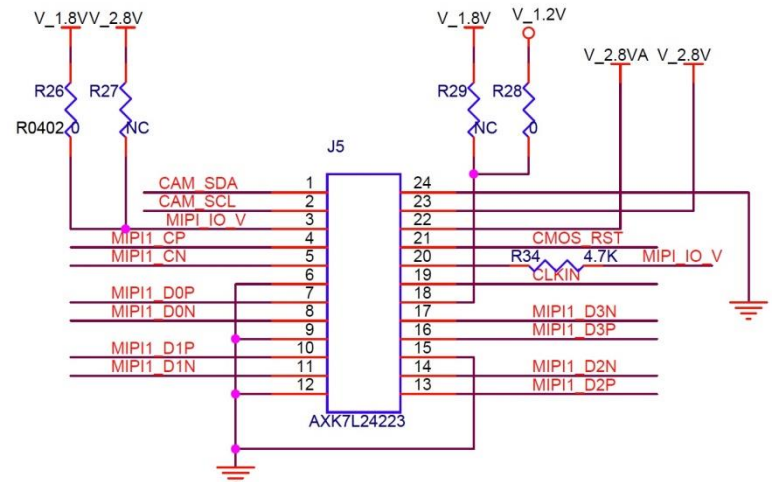


### Interface J5

- Part#: AXK7L24223
- Number of Positions: 24
- Pitch: 0.4 mm

### SDK Supported

- Camera Tool Source Code in C#
- Capture & Display
- OpenCV supported through Emgu
- RAW to RGB Conversion
- Save file as BMP & RAW format

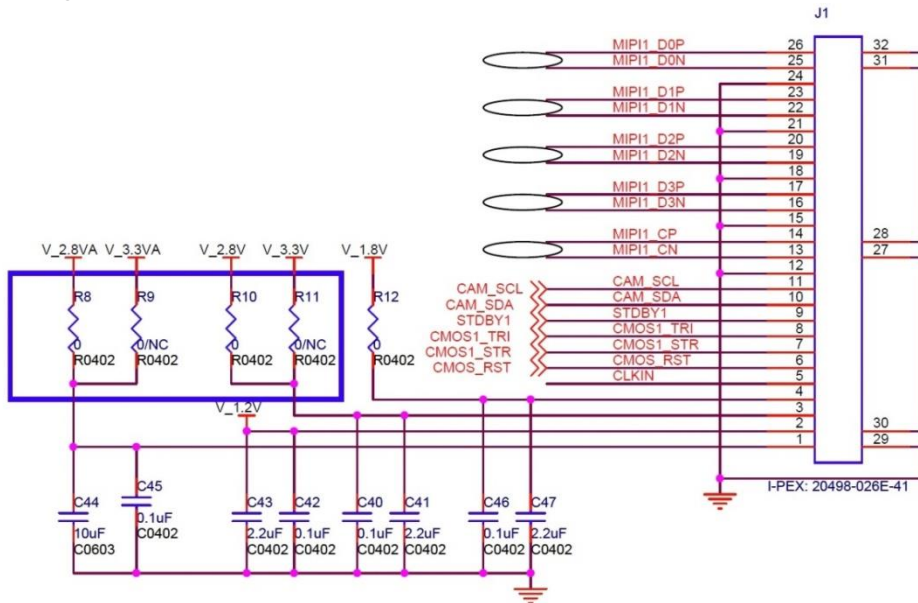


Leopard Imaging Inc.

1130 Cadillac Ct., Milpitas, CA 95035, USA  
 Phone: +1-408-263-0988  
 Fax: +1-408-217-1960  
 Email: sales@leopardimaging.com  
 Website: www.leopardimaging.com  
 www.leopard-security.com

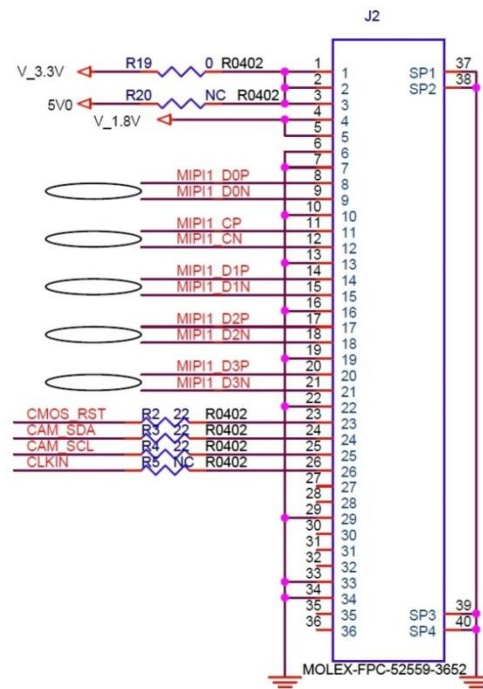
## Interface J1

- Part#: 20498-026E-41
- Number of Positions: 26
- Shell Plating: Sn
- Vacuum Clip: With
- Mating I-PEX cable: LI-FAW-1212-T1 (200mm)



## Interface J2

- Part#: 0525593652
- Number of Positions: 36
- Pitch: 0.020" (0.50mm)
- FFC, FCB Thickness: 0.30mm
- Mating Flex cable: LI-FLEX03 (60mm)



Leopard Imaging Inc.

1130 Cadillac Ct., Milpitas, CA 95035, USA  
 Phone: +1-408-263-0988  
 Fax: +1-408-217-1960  
 Email: sales@leopardimaging.com  
 Website: www.leopardimaging.com  
 www.leopard-security.com